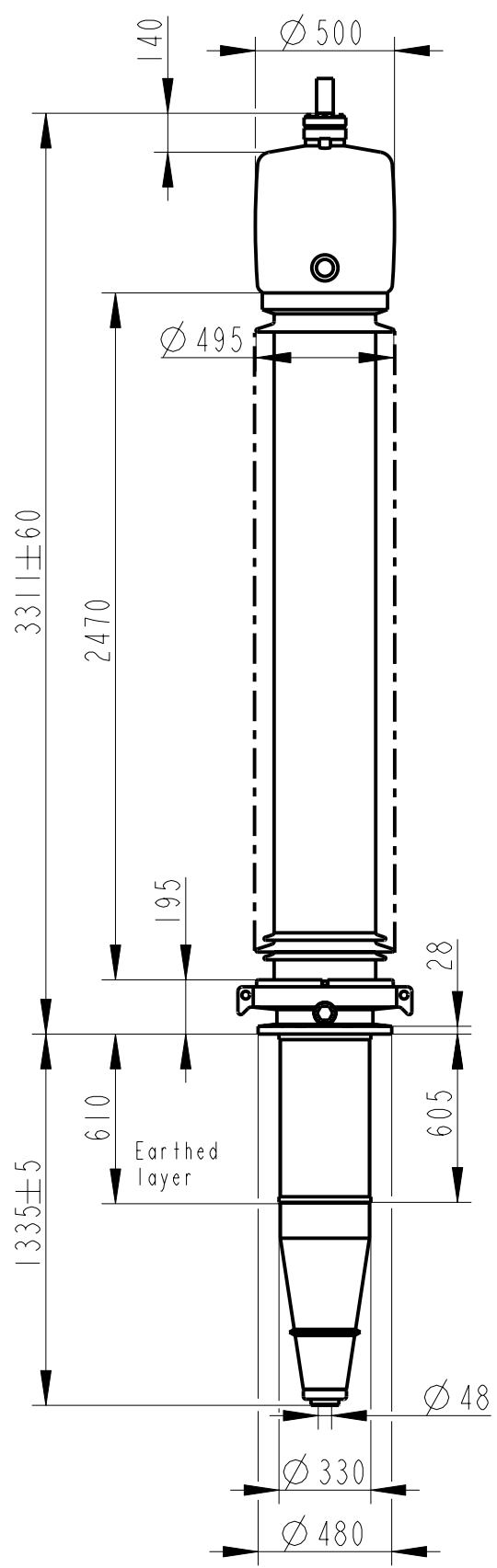


Rev	Ind	Revision	Appd	Date



Bushing Data:

Rated Voltage	362	kV
Phase to-earth Voltage	220	kV
Dry Lightning Impulse 1,2/50µs	1175	kV
Wet Switching Impulse	850	kV
Wet Power frequency AC	540	kV
Routine test Imin dry 50Hz	530	kV
Rated Current	2500	A
Creepage Distance	7955	mm
Mass	830	kg

Ordering Data:

BUSHING	COLOUR AIR INSULATOR
LF121061 -A / -AA	BROWN / LIGHT GREY
OUTER TERMINAL	
	H2 D2
	(mm) (mm)
LF170 073-A Al	125 60
LF170 073-B Cu	125 60
LF170 073-G Cu/Ag	125 60
OTHER TYPES ON REQUEST	

END-SHIELD

LF170 046-U	EPOXY INSULATED
LF170 046-UP	INSULATED WITH 3 mm PRESSBOARD

DRAW ROD SYSTEM

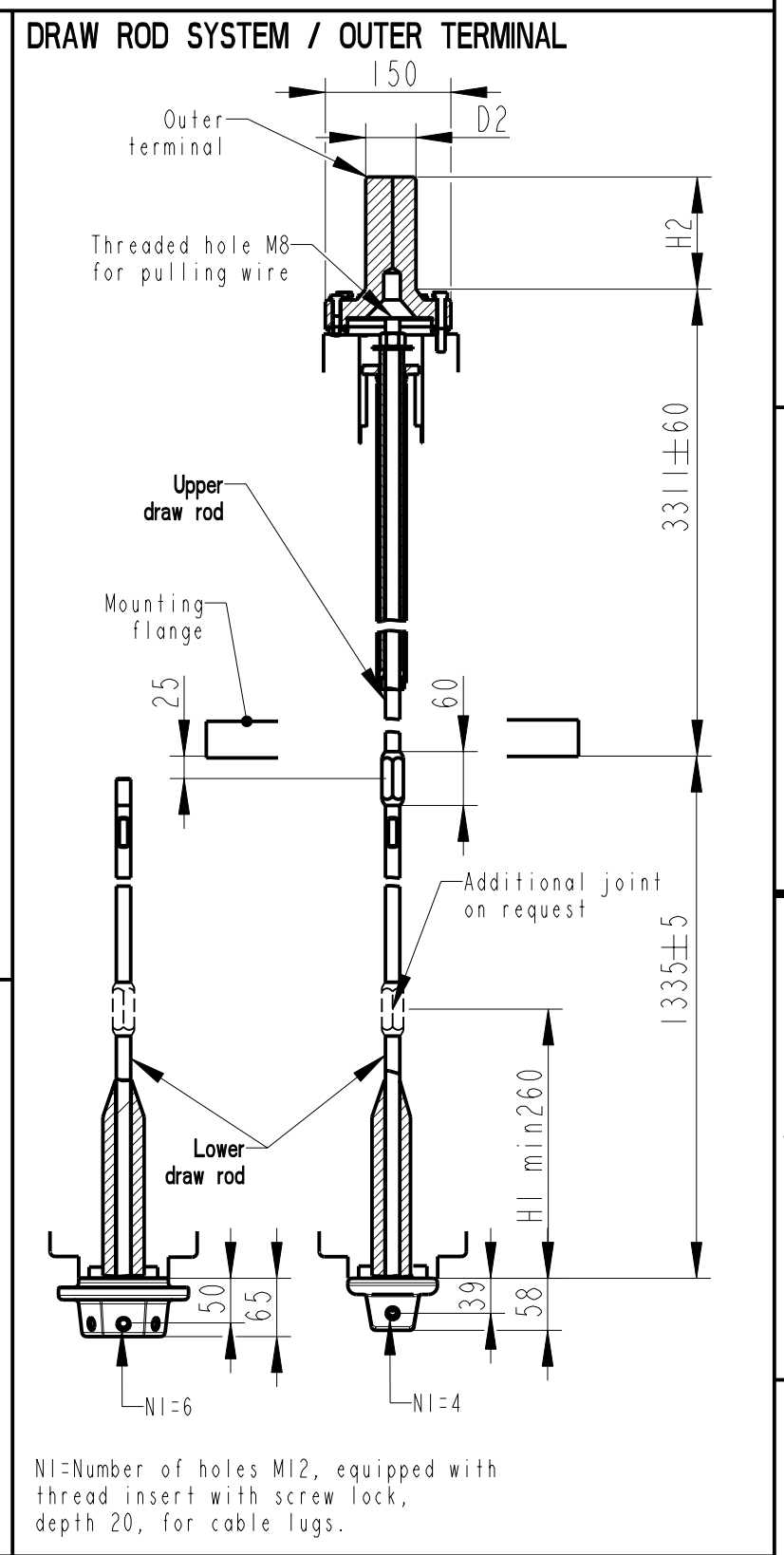
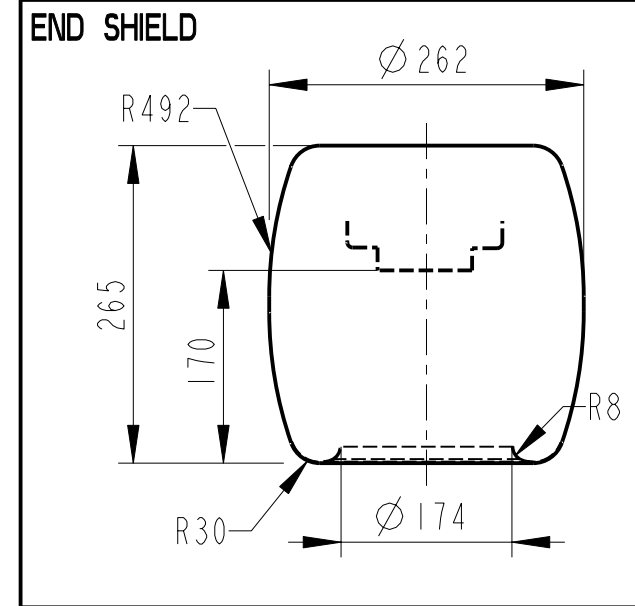
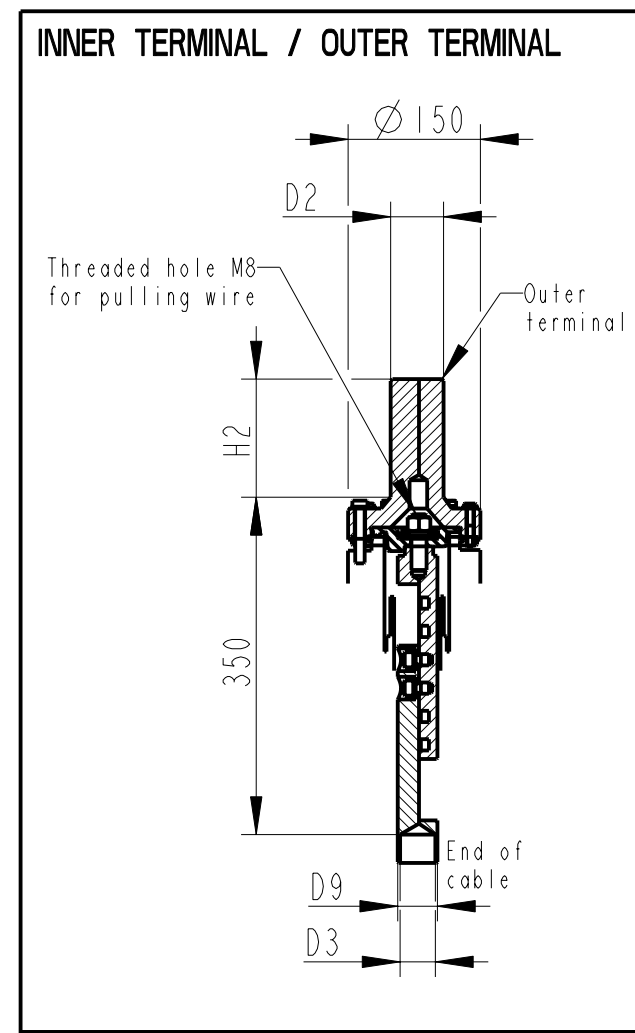
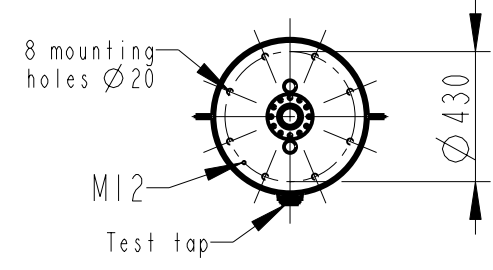
LF170 059	LOWER DRAW ROD WITH NI=4 OR NI=6
LF170 057	UPPER DRAW ROD

INNER TERMINAL

	D3	D9	Cond.area	Current (A)
	(mm)	(mm)	(mm ²)	IEC IEEE
LF170 056-E	0 *)	45	-	-
LF170 056-D	40	45	600	1600 1360

*) WITH PILOT HOLE D=5

ABB Components		Ludvika, Sweden	
U _{rated}	N _h	A	50-60 Hz
U	kV SI	kV AC	kV
M	kg L	mm D	
C1	pF Tanδ		
C2	pF Tanδ		



NI=Number of holes M12, equipped with thread insert with screw lock, depth 20, for cable lugs.

Based on	Reg. No.	Title	
Prepared	Responsible department	GOE-1175-850-2500-0.6	
Lövnord	COM/BK 0022		
Approved	Take over department	Language	
Johansson		82	
Design engineering review	Database	Page	1(1)
Gutman		Document No.	2751369-23
ABB Components			

We reserve all rights in this document and in the information contained therein. Reproduction, use or disclosure to third parties without express authority is strictly forbidden. ©ABB